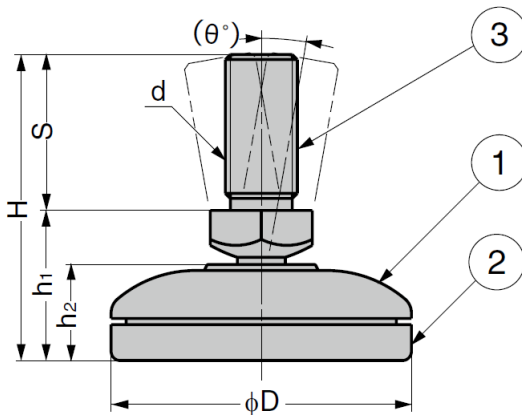
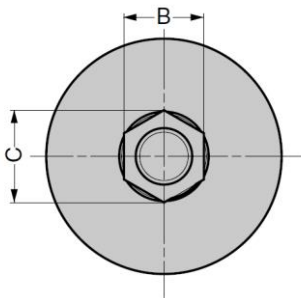
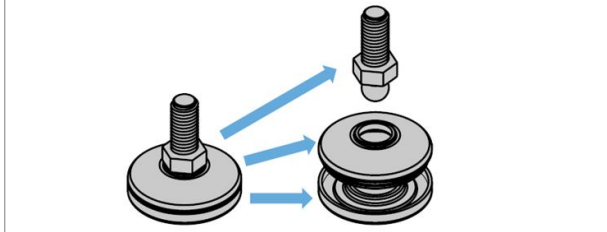


## GEA Levelling Glide (With Swivel)

### Features

- Parts can be easily separated for recycling purpose
- Bolt swivels to compensate for uneven floors (see below table for swivel angle)

Parts can be easily separated for recycling purpose.



No.	Part Name	Material	Finish/Colour
①	Cover	ABS	Dark Grey
②	Base		
③	Threaded Bolt	Steel (SWRM)	Coloured Zinc Chromate (Trivalent)

Part No.	d	D	H	h <sub>1</sub>	h <sub>2</sub>	S	B	C	θ°	Load Capacity (per piece)	
GEA-25M6	M6	25	31	14	8.5	17	8	9.2	10	490 N	50 kg
GEA-30M8	M8	30	37.5	17	10.5	20.5	10	11.5	15	980 N	100 kg
GEA-40M10	M10	40	42.5	20.5	13	22	13	15	12.5	1,274 N	130 kg
GEA-50M12	M12	50	51	25	16	26	17	19.6	10	2,646 N	270 kg